

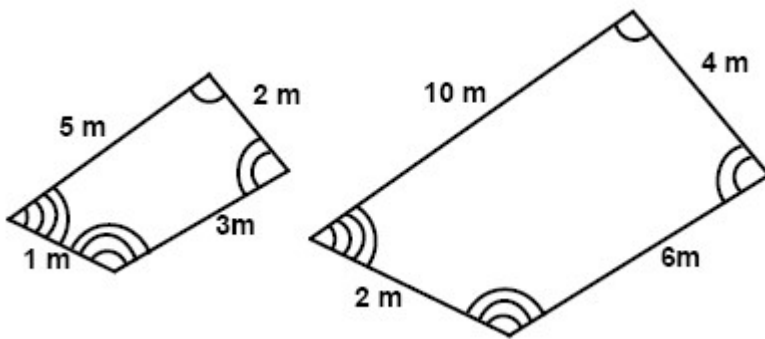
Similar Polygons

A **polygon** is a two-dimensional figure with at least 3 straight sides. Triangles, squares and rectangles are polygons.

Two polygons that are the **same shape and size** are **congruent** (\cong).

Two polygons that are not the same size but have the same proportions are **similar** (\sim).

Example:



$$\frac{5}{10} = \frac{2}{4} = \frac{3}{6} = \frac{1}{2}$$

Corresponding sides are proportional.